

Parts List



With Thanks to:

Edward Stables
Rick Sternbach
Bernie Potrell
Neil Wooding
Liam Dillon
Mati Zander

Custom Photoetch

BLA Models

Specifications

Engines: Four NOVACORP DX5 Sublight Drives for deep space travel.

Hull and Shielding: Carbon-bonded laminated metal hull with smart plastic materials to seal hull breaches. Energy shields use magnetic disruption to slow plasma projectiles before their collision with the hull.

Supplementary Craft: 2 Short-range attack fighters & 4 Shuttles for missions to planetary surfaces.

Crew Accommodation: 380 personnel including 24 Officers, Pilots and Engineering staff.

Dimensions: 420.6 meters bow to stern, 6 Decks.

Weapons: Magnetic rail-guns fire small pellets of pressurized carbon at Mach 100. Plasma Beam harpoons fire directed energy beams of 1.21GW.

Escape Pods: 28 locations on the dorsal & ventral hulls.

Technical plans for the Terran Tactical Force warship "Kydoimos" reveal obvious signs of alien technology merged with human engineering. The new fleet vessel designation **TTF-200869** does have formidable firepower and powerful FTL engines. The diagrams show backup systems including escape pods as shown in this schematic, along both the ventral and dorsal parts of the ship. Main weapon harpoons along the hull are powered by small independent nuclear reactors. **Magnetic railgun mounts** are located in many positions.



along the dorsal, ventral, port and starboard sides. They fire small pellets of pressurized carbon at Mach 100, giving a few hundred grams of matter incredible penetrative capability. This weaponry is very effective against alien defences as the Cardassian Galor class & Klingon Vorcha ship and we are very proud to have his designs associated with our next generation of kits.

Wild House Models is delighted to release a kit designed by the legendary Rick Sternbach. One of the leading designers in the film & TV industry, Rick worked on some great popular sci-fi shows such as Star Trek The Next Generation, Voyager, Deep Space Nine & The Last Starfighter! Rick was the designer of the USS Voyager starship, as well as the Cardassian Galor class & Klingon Vorcha ship and we are very proud to have his designs associated with our next generation of kits.

WARSHIP KYDOIMOS



Step 13 x2 Large Rail Guns

12-15

20, 21

Step 14 x12 Small Rail Guns

Left & Right guns require the correct mounting point.

34 + 36

35 + 37

Step 15

22, 23, 26, 27, 30, 31



Read these instructions thoroughly before assembly. We advise you to adhere to the correct assembly sequence. Tools required include a craft knife and file for removal of burrs or flashing from the molding process. It is advised you clean all the resin parts in a mild detergent solution before you assemble. Models are supplied unpainted and unassembled and may require trimming and cleaning before assembly and painting. For best results, use Formula P3 **Super Glue** or a **cyanoacrylate adhesive** when assembling this model. For ages 14+. Completely lead-free. Resin dust from sanding is hazardous. Always wear an N-95 respirator and use a wet sanding technique when sanding resin. Thoroughly clean your work area after working on this product. If adding electronics to the kit, ensure wiring and LEDs fit correctly, and sufficient room is provided for access to the board. Paint small components first, allow the paint to dry before assembling.

WILD HOUSE MODELS
1st Edition

Designed by Rick Sternbach

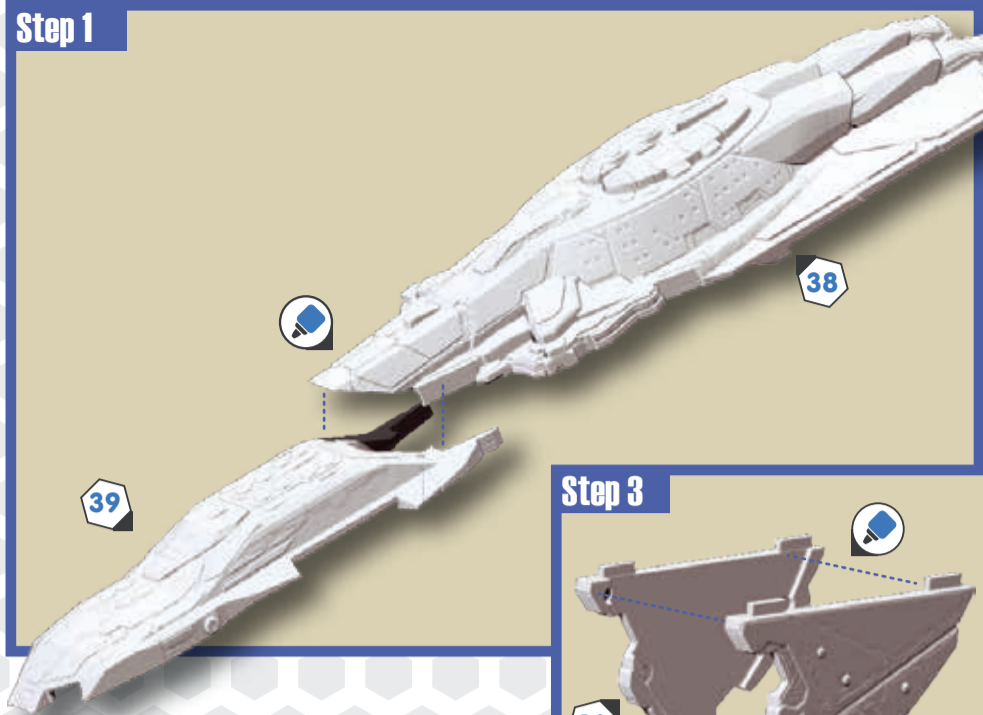
WARSHIP KYDOIMOS

TTF-200869

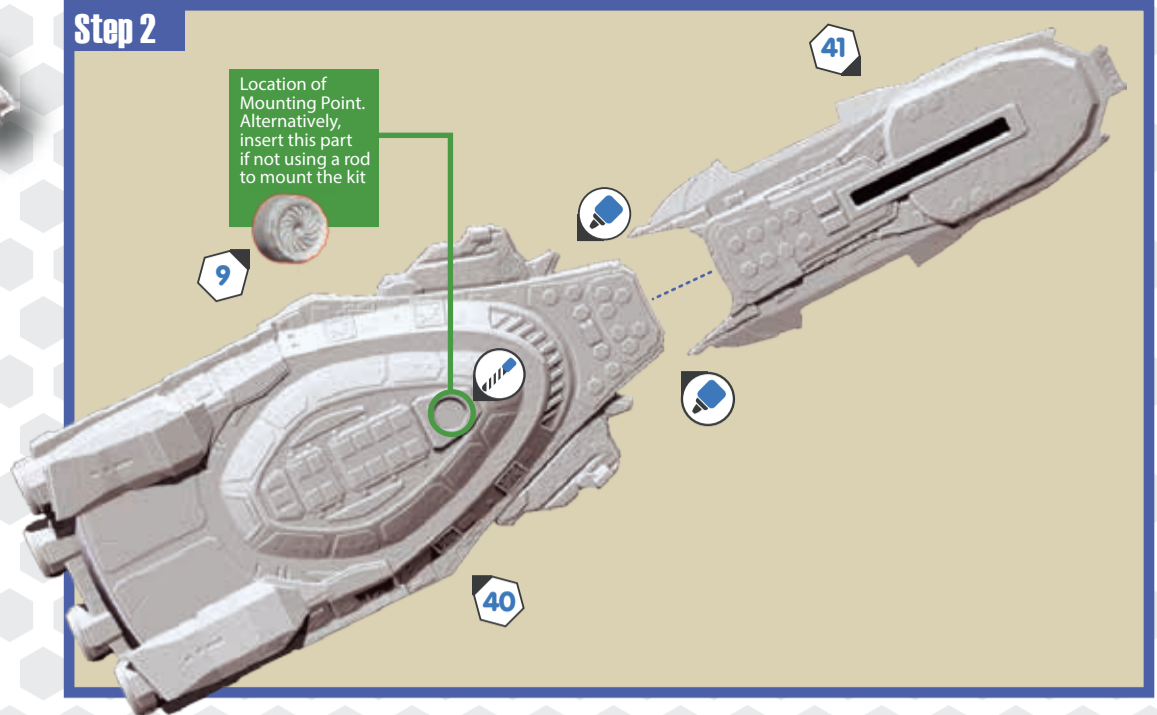
HOSTILE REALMS™
CALL TO ARMS

100% British Engineering
Copyright 2016.
www.wildhousemodels.com
Manufactured in the United Kingdom.

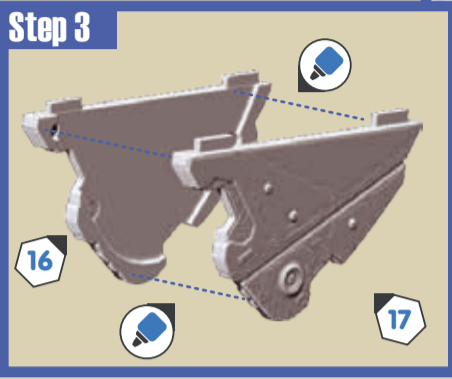
Step 1



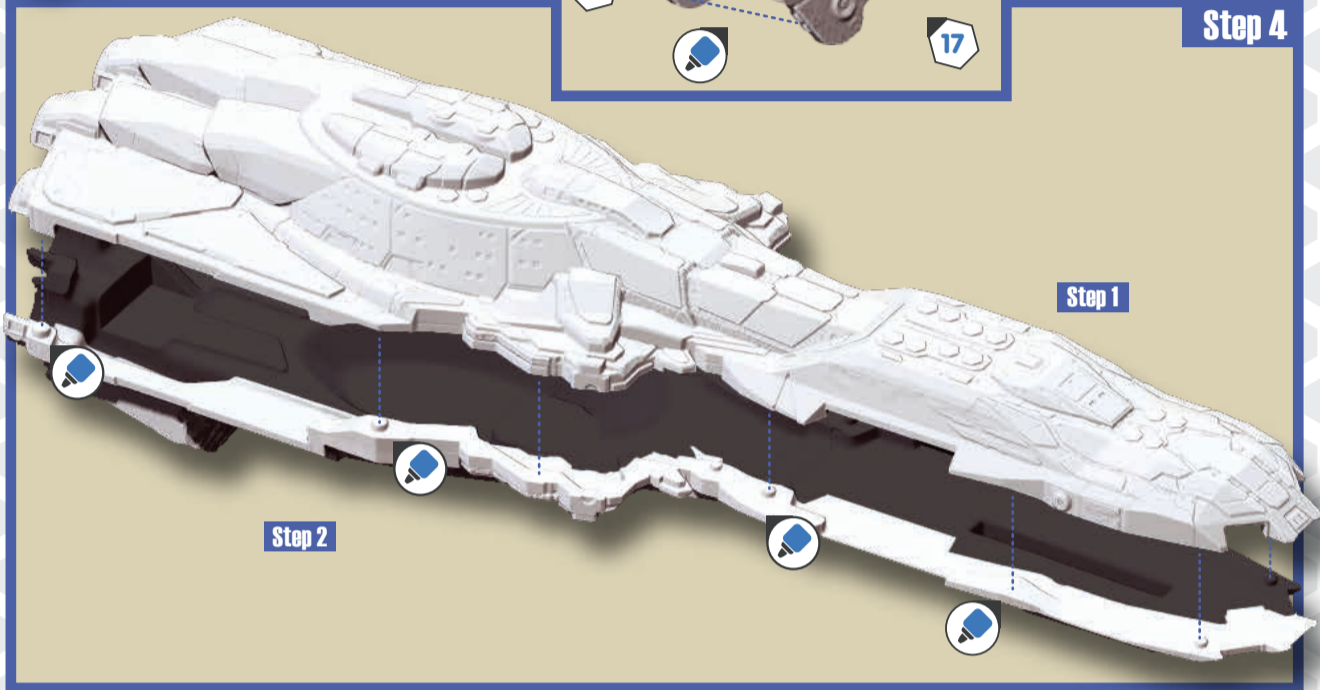
Step 2



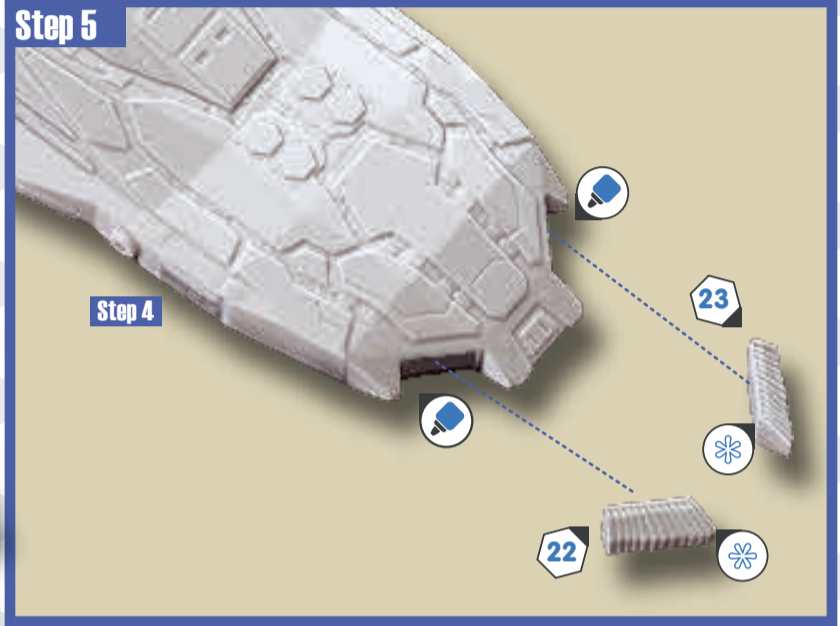
Step 3



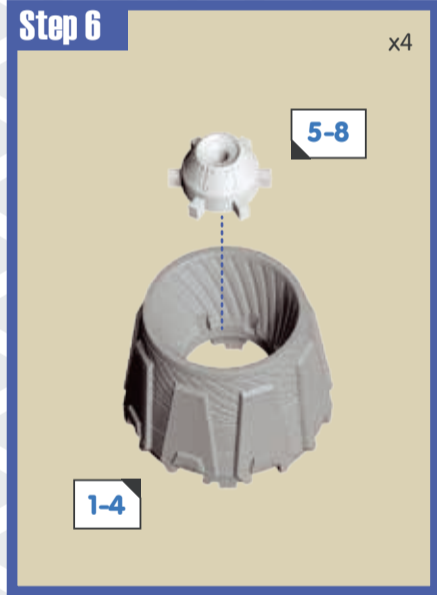
Step 4



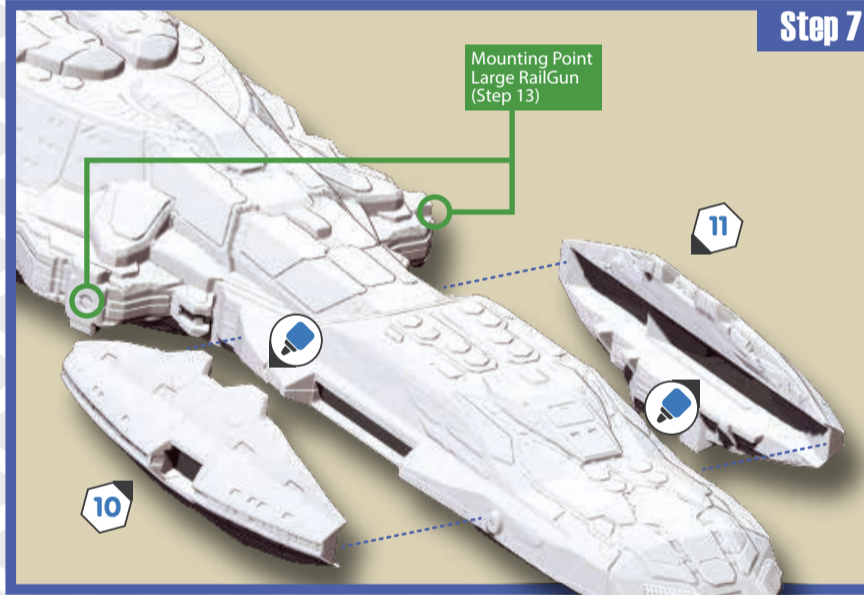
Step 5



Step 6



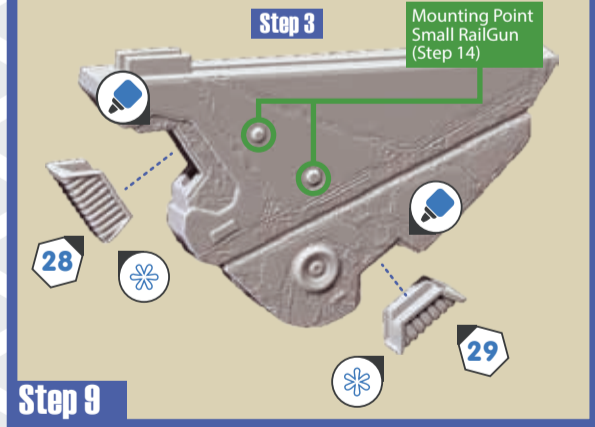
Step 7



Step 8



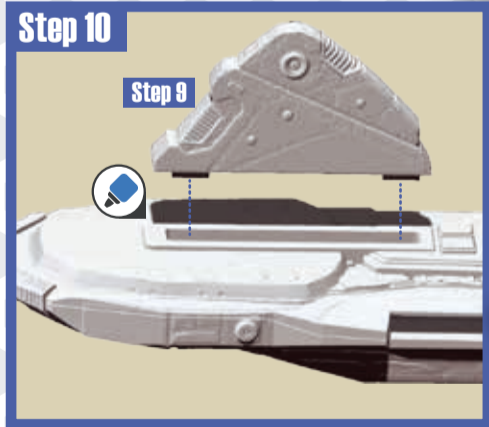
Step 3



Step 9

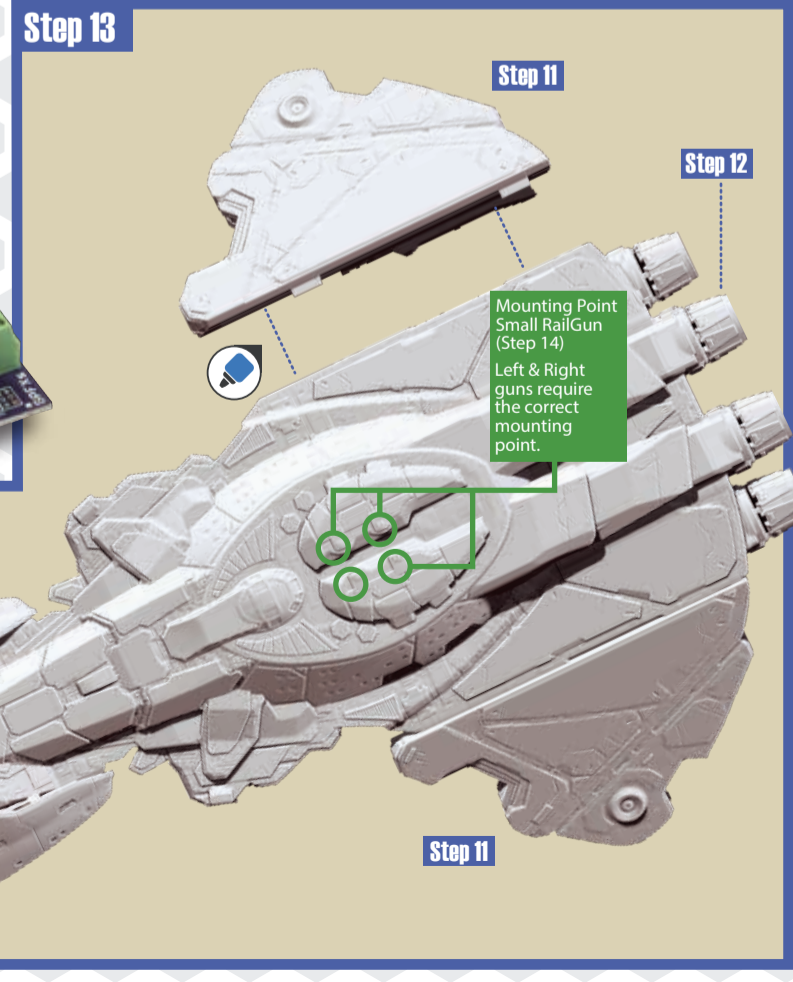


Step 10



If you have purchased a **GPFX-s Lighting Kit** for the Warship Kydmosios, please refer to instructions provided to add in the LEDs and Control Board to the kit.

Step 13



Step 11



Step 12

